



Bellmouth



DATA SHEET

☎ +44 20 8895 6455
✉ info@webbinfra.com
🌐 www.webbinfra.com

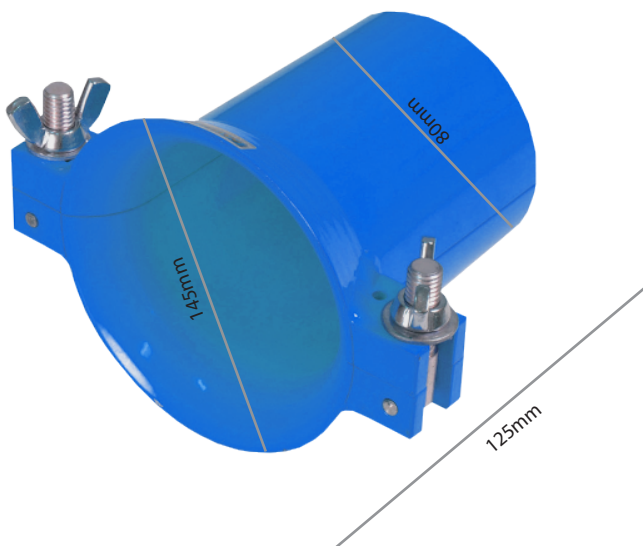
Bellmouth

Webb Bellmouth is a specialized inlet device designed for a variety of cable pulling applications. It features a smooth, flared entry point that minimizes friction and abrasion on cables during installation, thereby reducing wear and tear. The bellmouth comes in three configurations: Split Type, Expanding Type, and Roller Type, each tailored to meet specific needs. Made from durable materials, the Webb Bellmouth guarantees longevity and reliability across various industrial and commercial environments, enhancing cable management efficiency and security.

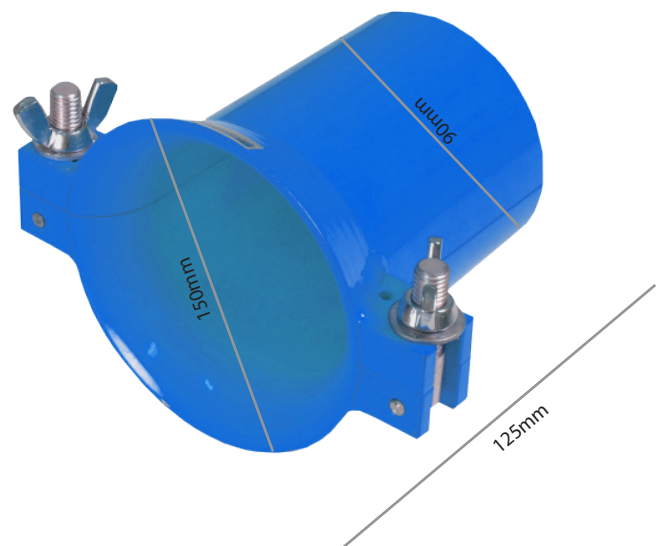
Split type Bellmouth

Specifications

- Material: Galvanized steel plate with powder coating finish
- Thickness: 3mm or custom
- Bellmouth size available in 80mm, 90mm
- Top diameter 145mm(80mm), 150mm(90mm)
- Length: 125mm
- Included with steel screws & nuts
- Color: Silver, Yellow, Blue, or Custom color



80mm Bellmouth



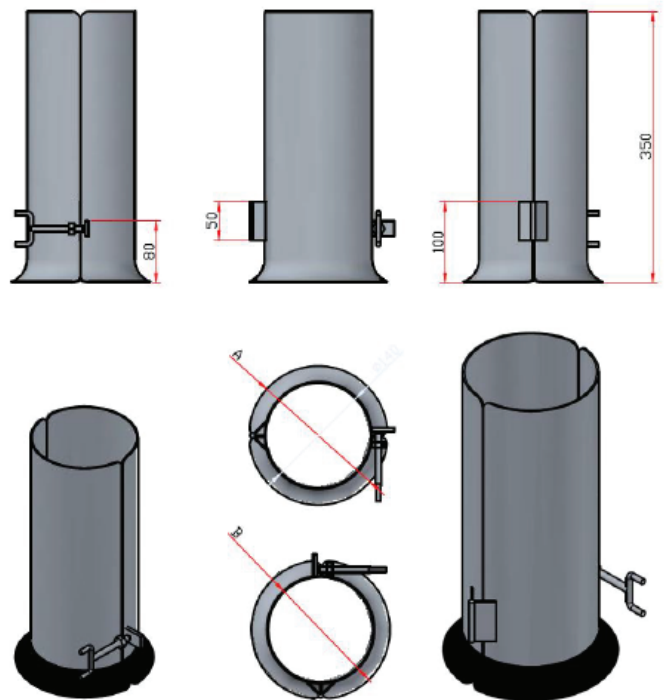
90mm Bellmouth

**Specifications are subject to change without notice based on technical recommendations and related product enhancements*

Expanding Bellmouth

Specifications

- Material: Galvanized steel plate with powder coating finish
- Thickness: 3mm or custom
- Bellmouth size available in 150mm, 200mm or custom sizes
- Top diameter 180mm(150mm), 230mm(200mm)
- Length: 350mm or custom sizes
- Included with steel screws & nuts
- Color: Silver, Yellow, Blue, or Custom color



**Specifications are subject to change without notice based on technical recommendations and related product enhancements*

Roller type Bellmouth

Specifications

- Material: Galvanized steel plate with powder coating finish
- Thickness: 3mm or custom
- Bellmouth size available in 80mm, 100mm, 130mm, 180mm or custom sizes
- Available in Single roller, dual roller, or 4 roller types
- Length (4 roller type): 270mm exclude rollers, 370mm include rollers
- Included with steel screws & nuts
- Color: Silver, Yellow, Blue, or Custom color



4 roller type Bellmouth

**Specifications are subject to change without notice based on technical recommendations and related product enhancements*